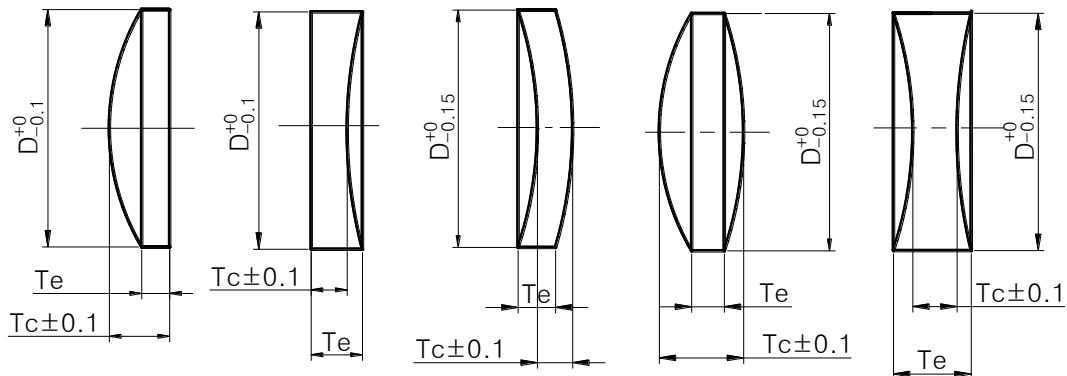




Singlet Lenses



Specifications:

1. Material: H-K9L or Fused Silica
2. Surface Quality: 20/10 Precision
40/20 Standard
3. Surface Accuracy: $\Delta N < \lambda/4 @ 633\text{nm}$ Precision
 $\Delta N < \lambda/2 @ 633\text{nm}$ Standard
4. Focal Length Tolerance: $\pm 1\%$
5. Centration: < 3 arc min
6. Clear Aperture: $> 90\%$ Diameter

- Product Code:

Type Code+Material-Size-SurfaceQuality-SurfaceAccuracy-Centration-R-R2-R3-Coating

Type Code:

1. Plano-Convex Lenses-LPX
2. Plano-Concave Lenses-LPV
3. Meniscus-LMS
4. Bi-Convex Lenses-LBX
5. Bi-Concave Lenses-LBV

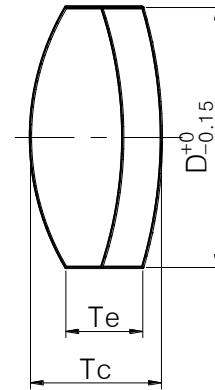


Achromatic Doublet Lenses

Specifications:

Precision Achromatic Doublet Lenses

- 1. Material: Optical crown and flint glasses or equivalent
- 2. Surface Quality: 40/20
- 3. Surface Accuracy: $\Delta N < \lambda/4 @ 633\text{nm}$
- 4. Focal Length Tolerance: $\pm 2\%$
- 5. Centration: < 3 arc min
- 6. Clear Aperture: $>$ central 90% of diameter



Achromatic Lenses

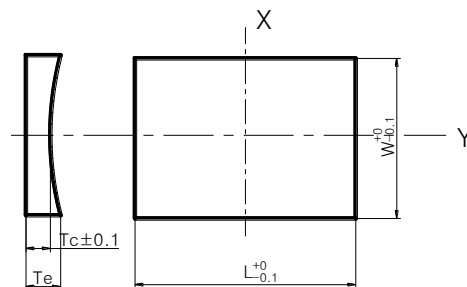
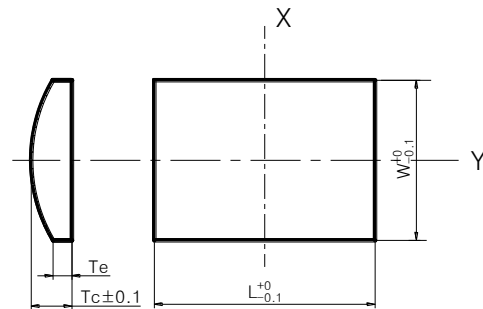
- Product Code:

LAM+Material(1+2)-Size-Surface Quality-Surface Flatness N-focal lengthf-Coating

Cylindrical Lenses

Specifications:

- 1. Material: H-K9L or Fused Silica
- 2. Surface Quality: 40/20
- 3. Surface Accuracy: $< 1\mu\text{m}$ irregularity in Y axis @ 633nm
- 4. Focal Length Tolerance: $< 1\%$
- 5. Centration: < 3 arc min
- 6. Centration Thickness (T_c): $\pm 0.2\text{mm}$
- 7. Clear Aperture: $>$ central 80% of diameter



- Product Code:

LCX(LCV)+Material-Size-Surface Quality-Surface Accuracy-Centration-R1-R2-Coating

Plano-Convex Cylindrical Lenses-LCX

Plano-Concave Cylindrical Lenses-LCV